

Data Sheet

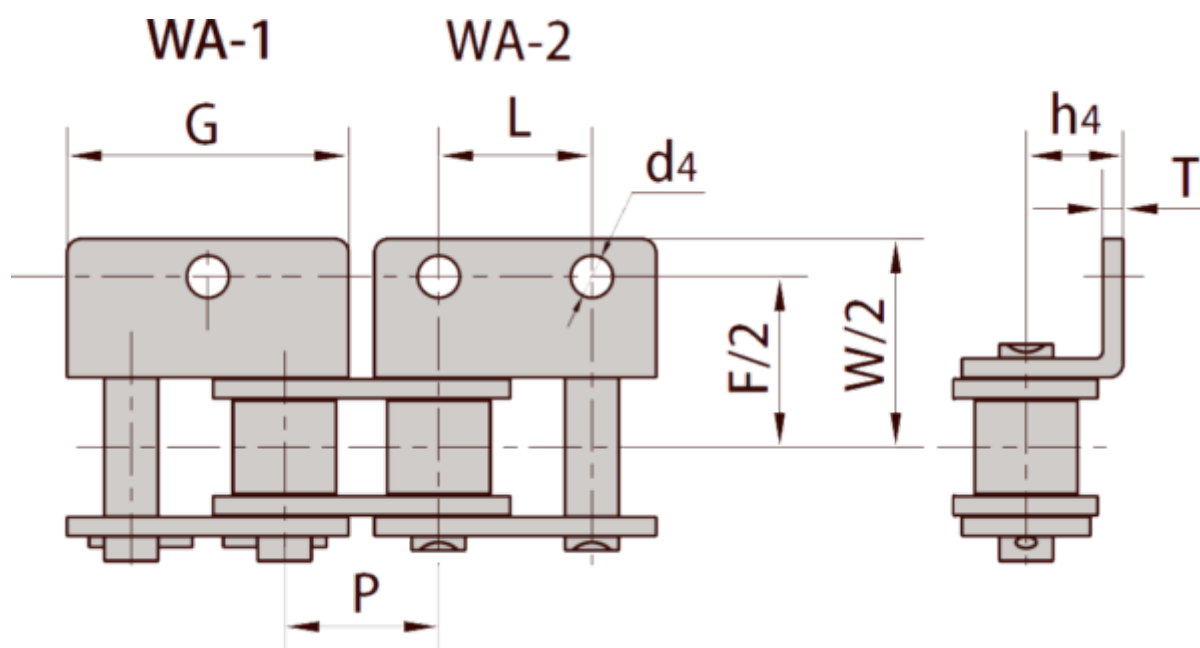


Article number: 6100110041031

Description: 06B1

WA1 angled one hole attachment link, spring clip type

Measures



d4 = 3.50
F = 19.04
G = 17.72
h4 = 6.50
L = 9525
P = 9525
T = 1.30
W = 27.0